

GOGGOPRO QS200

Screen making has never been so easy

Bring your screen printing into the digital age with no need for chemicals, water or emulsions



Computer to screen

Quick, simple & clean operation

- No need for emulsions & washouts
- No screen making experience required

Compact workspace

- No need for darkrooms & washout booths
- No need to store large number of screens

You save on time & labor

- Perfect for short-run printing
- Outsourced jobs can be profitable in-house



* Sample image

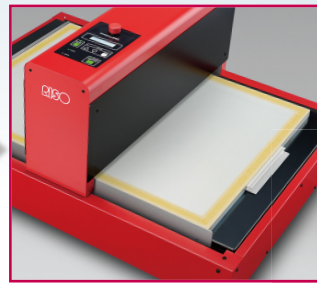
Revolutionary digital screen making process consistent, detailed & accurate thermal technology



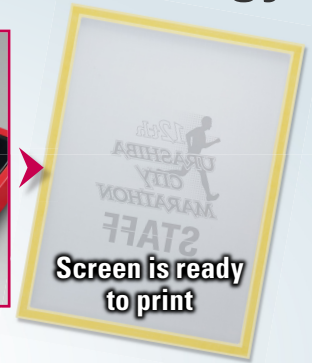
1. Set a screen stretched onto a frame



2. Send data from PC



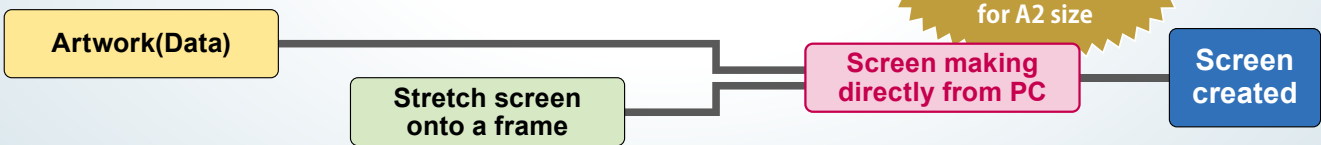
3. Start screen making



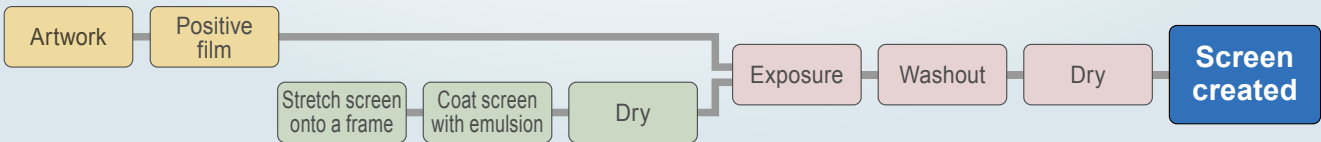
Screen is ready to print

Digital screen making process

Image to screen :
approx. 3 minutes
for A2 size



Conventional screen making process



Specifications for the GOCCOPRO QS200

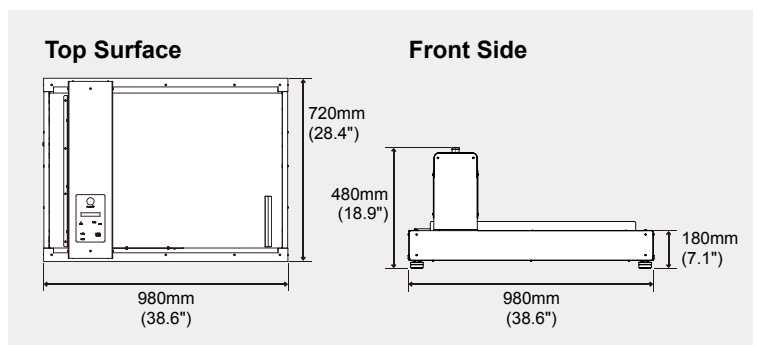
Screen Making Method	High Speed Digital Thermal System
Frame size (outer)	Min. 260mm×260mm (10.2"×10.2") Max. 580mm×780mm (22.8"×30.7") Thickness 20mm~50mm (0.7"~1.9")
Image Area	Min. 100mm×100mm (3.9"×3.9") Max. 420mm×620mm (16.5"×24.4")
Screen Making Time	Within 2 minutes (A4 size)
Resolution	600dpi×600dpi
Main Unit Storage	128MB
Supported OS	Microsoft® Windows® 8 (32-bit/64-bit) Windows® 7 (32-bit/64-bit) Windows Vista® (32-bit/64-bit) Windows® XP (32-bit) Mac OS X10.4/10.5/10.6/10.7/10.8/10.9
Interface	USB2.0
Power Source	AC100-240V/2.5A, 50-60Hz
Power Consumption	Approximately 300W
Operating Environment	Temperature : 15°C-30°C / 59F-86F
Dimensions	980mm(W)×720mm(D)×480mm(H) (38.6"(W)×28.4"(D)×18.9"(H))
Weight	Approximately 67kg / 148lb

• Specifications are subject to change without notice.

Consumables

■ RISO DIGITAL SCREEN QS MASTER

70P-113-30	#70 mesh	Width: 1,130mm (44.5")	Length: 30m (32.8yd)
70P-56-30	#70 mesh	Width: 560mm (22.0")	Length: 30m (32.8yd)
120P-113-50	#120 mesh	Width: 1,130mm (44.5")	Length: 50m (54.7yd)
120P-56-50	#120 mesh	Width: 560mm (22.0")	Length: 50m (54.7yd)
200P-113-50	#200 mesh	Width: 1,130mm (44.5")	Length: 50m (54.7yd)
200P-56-50	#200 mesh	Width: 560mm (22.0")	Length: 50m (54.7yd)



RISO logo and GOCCOPRO are either registered trademarks or trademarks of Riso Kagaku Corporation.

Microsoft, Windows and Windows Vista are either registered trademarks or trademarks of Microsoft Corporation in the United States and/or other countries.

Mac OS is a trademark of Apple, Inc. Other corporate names, product names and/or trademarks are either registered trademarks or trademarks of each company, respectively.

Manufacturer:

RISO KAGAKU CORPORATION

2-20-15 Shimbashi, Minato-ku, Tokyo, 105-0004 Japan

<http://www.riso.co.jp/goccopro/>

For more details, please contact: